

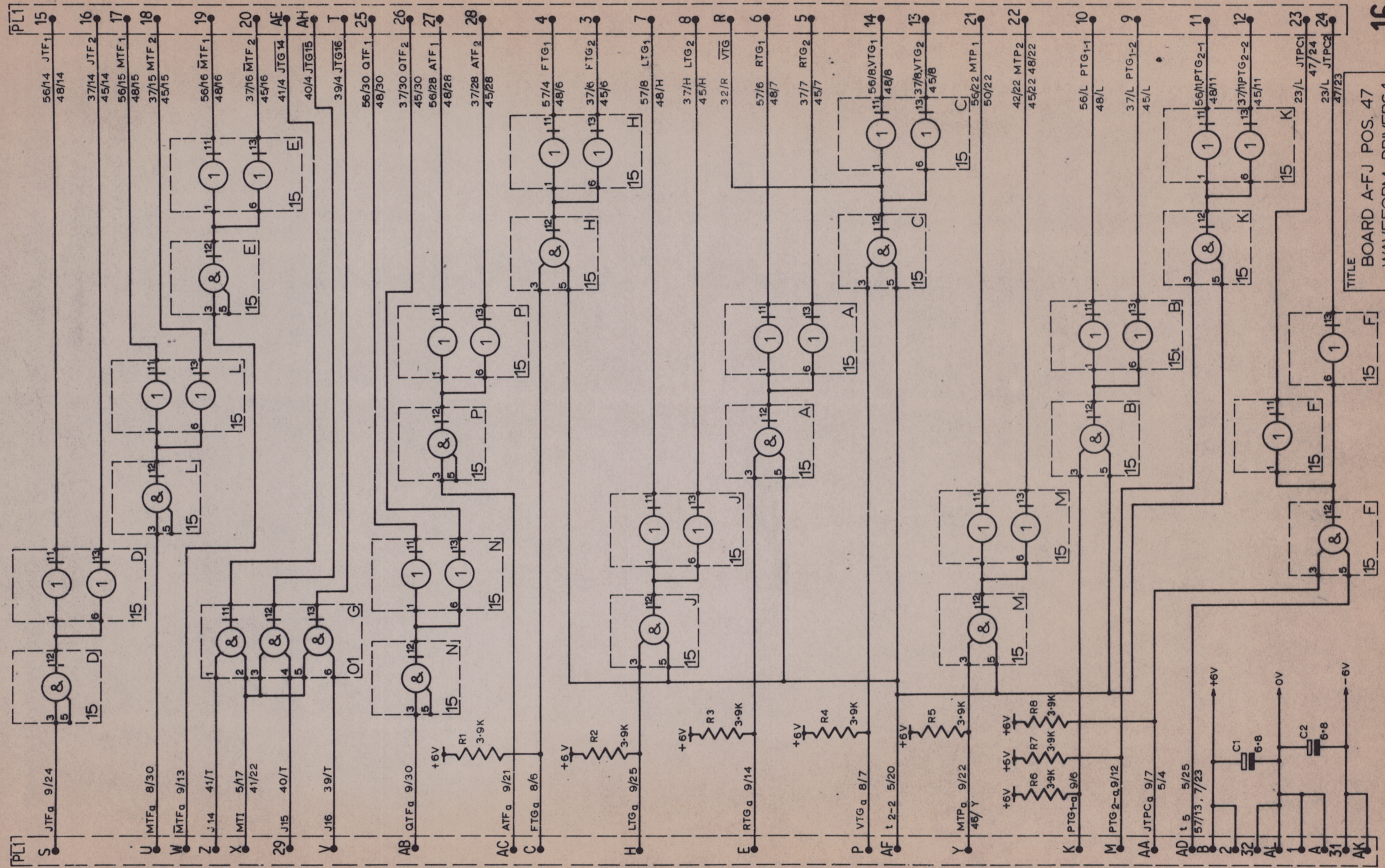
322C5238

THIRD ANGLE PROJECTION

DIMENSIONS IN INCHES UNLESS OTHERV.

DO NOT SCALE DRAWING

USED ON
4027
A 7201



TITLE
BOARD A-FJ POS. 47
WAVEFORM DRIVERS 1.

16

LATEST MI INCORPORATED: MI 2866 2998B

| | |
|----------------|--------------------|
| ISSUE No. | 2 |
| ALTERATION No. | 1740 |
| DATE | 13.5.66 |
| INITIALS | S. S. |
| PARTS LIST No. | |
| DRAWN | D. & D. |
| CHECKED | 5/5 |
| APPROVED | <i>[Signature]</i> |
| DATE | 7-4-66 |

| | |
|---|--------|
| MATERIAL | FINISH |
| TOLERANCES LINEAR UNMACHINED SURFACES ± MACHINED SURFACES ± ANGULAR DIMENSIONS ± UNLESS OTHERWISE STATED | |

ELLIOTT BROTHERS (LONDON) LTD

TITLE
BOARD A-FJ POS. 47
WAVEFORM DRIVERS 1.

SCALE
DRAWING No.
322C5238